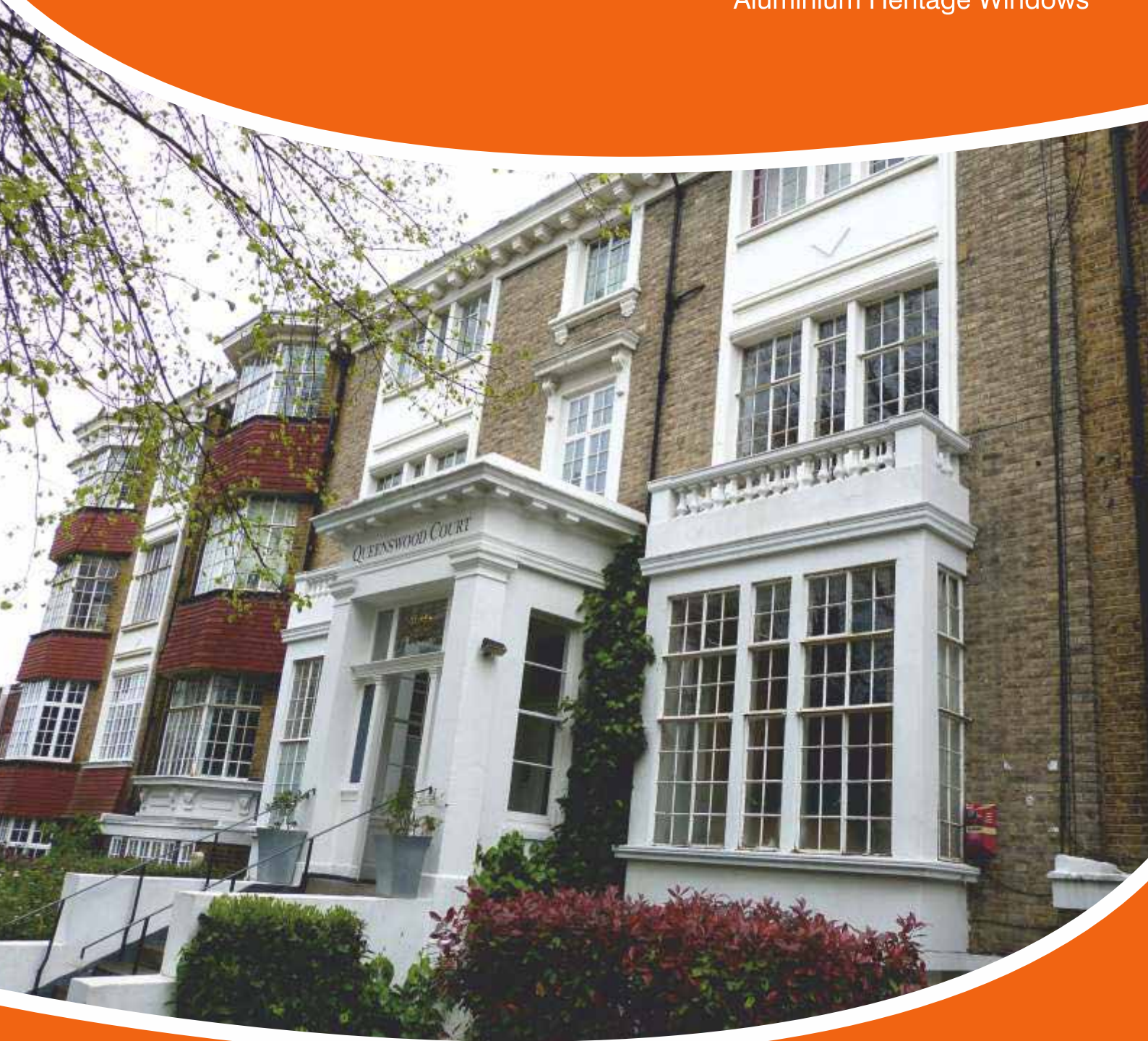


# Heritage Putty-Line

Aluminium Heritage Windows



**ROBERTSON**  
GLAZING

# The Heritage Putty-Line Window



With their authentic 45° angled putty-line design our Putty-Line windows are the perfect solution for replacing old putty glazed steel windows. The window has been specially designed to replicate the appearance of traditional putty glazed windows, whilst offering superior security, weather and thermal performances. They use a 'Polyamide' thermal break and double glazed Argon filled sealed units to achieve excellent thermal values.

These windows can be fitted into original or new timber frames or direct to brick. The authentic design of these putty-line windows is perfect to maintain the character of your period property and are suitable for refurbishment, replacement and new build projects.

Our Putty-Line window is available with our innovative clip-on A-shaped astragal bars. The unique clip on system allows for ease of glazing and deglazing on site - without damaging the bars, glass or window.

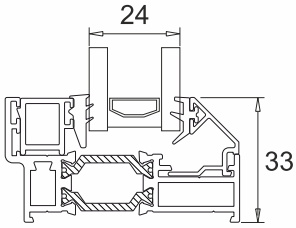
## Features

- Slim sight-lines - outerframe outside-edge only 33mm (visible frame).
- An authentic look that replicates traditional putty glazed steel windows.
- Excellent thermal values due to its superior 'Polyamide' thermal break.
- Modern multi-point Espag locking.
- Can be installed into new or existing timber frames or direct to brick.
- Equal leg frame 57mm front to back, direct fix frame 70mm front to back.
- A fraction of the cost of new steel windows.
- Fitter friendly clip-on A-shaped astragal bar system allows for ease of glazing and deglazing on site.
- Suitable for use in period properties, listed buildings, heritage and conservation areas.
- Exceeds all the specifications for replacement projects.
- Standard colours include White (gloss), Black (matt) or dual Black (matt) Out, White (gloss) In.
- Also available in over 200 single or dual RAL colours.
- Available with Black, White or Grey Gaskets (White used on inside only)

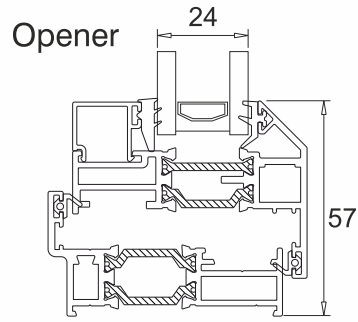
\*Fixed windows are externally glazed

# Technical

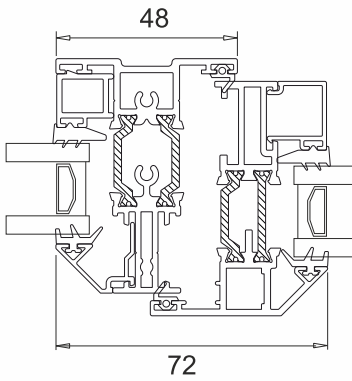
Fixed



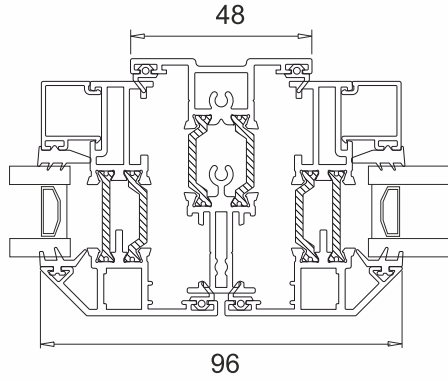
Opener



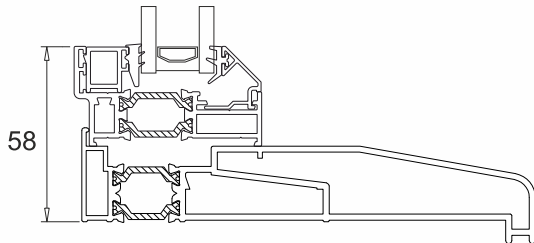
Fixed Next To A Opener



Double Opener



Fixed On A 150mm Cill



Slim And Authentic Design



Internally Glazed Vents



Authentic Putty-Line Look



Clip On & Off A-Shaped Bars

# Performance

WER



Air Permeability



Water Tightness



Wind Resistance



# Glass Options

Our Heritage Putty-line windows are available with a range of different glass as well as cosmetic additions to help create that period style.



Diamond Leads



Square Leads



Georgian Grille



Horizontal Flat Astragal Bars



Butted Flat Astragal Bars



Plain Glazing



A-Shaped Astragal Bar

# Handle Options

Our Heritage Putty-line windows are available with our Chelton Handle range that comes in 3 different designs as shown below:

## Chelton Slim-Line



W, B

## Chelton Art Deco



W, B

Colour	Code
White	W
Black	B
Gold	G
Silver	S
Chrome	C
Black Chrome	BCh
Stainless Steel	SS



Decorative Leads



Square Leads



Horizontal Astragal Bars



A-Shaped Bars

